

Star Trans

Transforming Technology



Three Phase Pro S Series : 3-100KVA

Pro | **Series S**
Three Phase stabilizer

**THREE PHASE
STABILIZER**

THREE PHASE STABILIZER SERVO PRO-S



Rated input voltage 3 x 400 V AC + Neutral

Rated output voltage 3 x 400 V AC + Neutral

output voltage tolerance (Accuracy) 1-1.5%

Rated power 3 - 100 KVA

Insulation class H

Maximum ambient temperature 50 °C

Efficiency up to 98%

Degree of protection IP23 Indoor

Frequency 50/60 Hz

Advantages

Compensation for mains voltage fluctuations

Patented assembly technology to lower heat losses

Bridging momentary voltage dips

May be switched between high control precision and elevated parasitic

Voltage attenuation

Display LCD Screen - Show Parameter

Protection Over/Under Voltage - Phase Sequence - Phase Failure

Overload - Short Circuit - Over Heat

Internal Bypass - Safe Start

Applications

Three Phase Stabilizer Servo PRO-S Securing the supply voltage in the event of mains overvoltage, mains undervoltage, voltage dips and voltage surges and in the case of brief voltage interruptions.

Standards

Automatic Voltage Regulator acting as mains transformer in accordance with VDE 0570 part 2;2-12, EN 61558-1; 2-12, IEC 61558-1;2-12

STABILIZER
THREE- PHASE STABILIZER



THREE PHASE STABILIZER SERVO
PRO-S

| Typ | PRO-S 3PH - 3KVA /6KVA | PRO-S 3PH - 10KVA /15KVA | PRO-S 3PH 20PH - 30KVAK | PRO-S 3PH - 45KVA /60KVA | PRO-S 3PH - 100KVA |
|---------------------------------------|------------------------|--------------------------|-------------------------|--------------------------|--------------------|
| Electrical data | | | | | |
| Operating data | | | | | |
| Rated input voltage | 400 V AC | 400 V AC | 400 V AC | 400 V AC | 400 V AC |
| Permissible tolerance (Input voltage) | +20% TO -30% | +20% TO -30% | +20% TO -30% | +20% TO -30% | +20% TO -30% |
| Rated output voltage | 400 V AC | 400 V AC | 400 V AC | 400 V AC | 400 V AC |
| Rated current | 4 A / 8A | 12A / 20A | 24A / 40A | 60A / 80A | 120 A |
| Rated frequency | 50 HZ/60 HZ | 50 HZ/60 HZ | 50 HZ/60 HZ | 50 HZ/60 HZ | 50 HZ/60 HZ |
| Harmonic content | 5% AT OHMIC LOD | 5% AT OHMIC LOD | 5% AT OHMIC LOD | 5% AT OHMIC LOD | 5% AT OHMIC LOD |

Power

| | | | | | |
|-------------|-------------|---------------|---------------|---------------|--------|
| Rated Power | 3KVA / 6KVA | 10KVA / 15KVA | 20KVA / 30KVA | 45KVA / 60KVA | 100KVA |
|-------------|-------------|---------------|---------------|---------------|--------|

Environment

| | | | | | |
|--------------------------|-------|-------|-------|-------|-------|
| Ambient temperature max. | 50 °C | 50 °C | 50 °C | 50 °C | 50 °C |
|--------------------------|-------|-------|-------|-------|-------|

Safety and protection

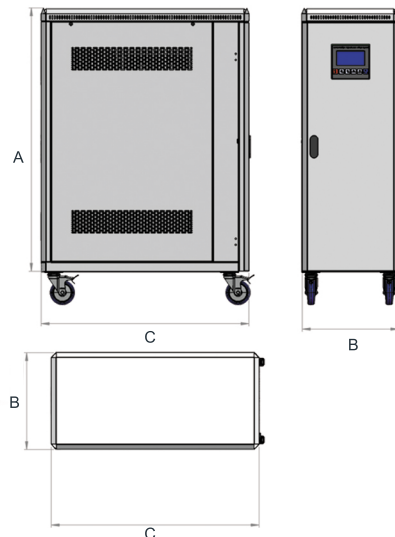
| | | | | | |
|-------------------------|--|---------------|---------------|---------------|---------------|
| Type | ENCLOSED | ENCLOSED | ENCLOSED | ENCLOSED | ENCLOSED |
| Insulation class | H | H | H | H | H |
| Protection index | IP 23 | IP 23 | IP 23 | IP 23 | IP 23 |
| Safety class (prepared) | I | I | I | I | I |
| Protection | Over&Under Voltage - Phase Sequence – Phase Failure - Overload –Short Circuit - Over Heat - Internal Bybass – Safe Start | | | | |
| Test voltage | 3500 VAC 50HZ | 3500 VAC 50HZ | 3500 VAC 50HZ | 3500 VAC 50HZ | 3500 VAC 50HZ |

Type

| | | | | | |
|---------|------------------------|--------------------------|---------------------|--------------------------|--------------------|
| Type ON | PRO-S 3PH - 3KVA /6KVA | PRO-S 3PH - 10KVA /15KVA | PRO-S 20PH - 30KVAK | PRO-S 3PH - 45KVA /60KVA | PRO-S 3PH - 100KVA |
|---------|------------------------|--------------------------|---------------------|--------------------------|--------------------|

| Terminal and mounting | PRO-S 3PH - 3KVA /6KVA | PRO-S 3PH - 10KVA /15KVA | PRO-S 20PH - 30KVAK | PRO-S 3PH - 45KVA /60KVA | PRO-S 3PH - 100KVA |
|-----------------------------|------------------------|--------------------------|----------------------|--------------------------|----------------------|
| Fixing method | HASTILY INSTALLED | HASTILY INSTALLED | HASTILY INSTALLED | HASTILY INSTALLED | HASTILY INSTALLED |
| Terminals | SCREW-TYPE TERMINALS | SCREW-TYPE TERMINALS | SCREW-TYPE TERMINALS | SCREW-TYPE TERMINALS | SCREW-TYPE TERMINALS |
| Measures and weights | | | | | |
| Weight | 21 KG - 35 KG | 47 KG 55KG | 65 KG - 72 KG | 205 KG - 250 KG | 310 KG |
| Dimension picture (in mm) | 1 | 1 | 1 | 1 | 1 |
| A | 60 | 65 | 74 | 110 | 130 |
| B | 25 | 30 | 33 | 40 | 40 |
| C | 45 | 50 | 57 | 87 | 87 |

Dimension pictures



STAIBILIZER

AUTOMATIC VOLTAGE

THREE PHASE
STAIBILIZER



www.startranseg.com